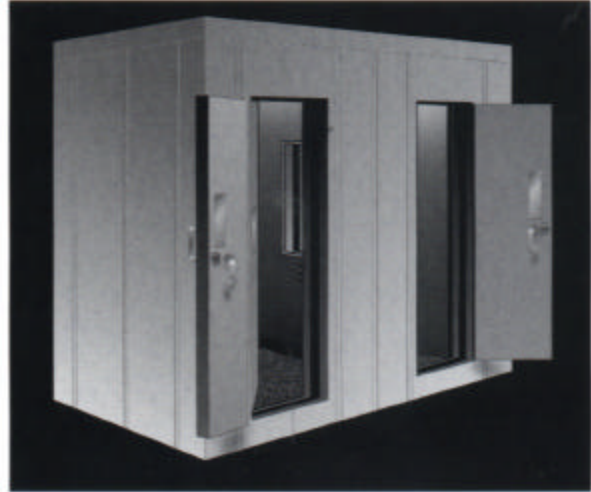
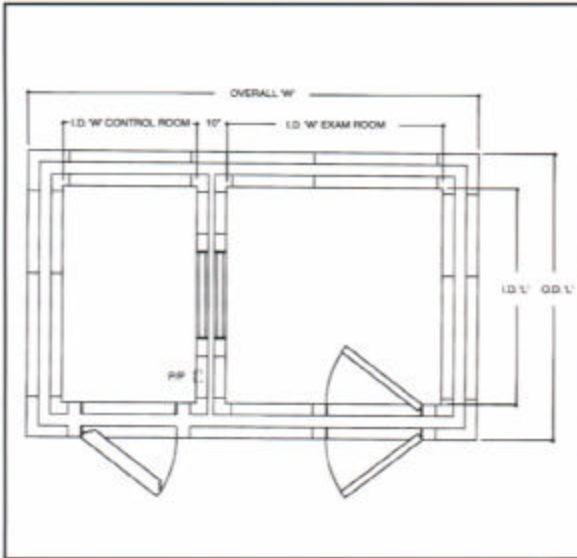


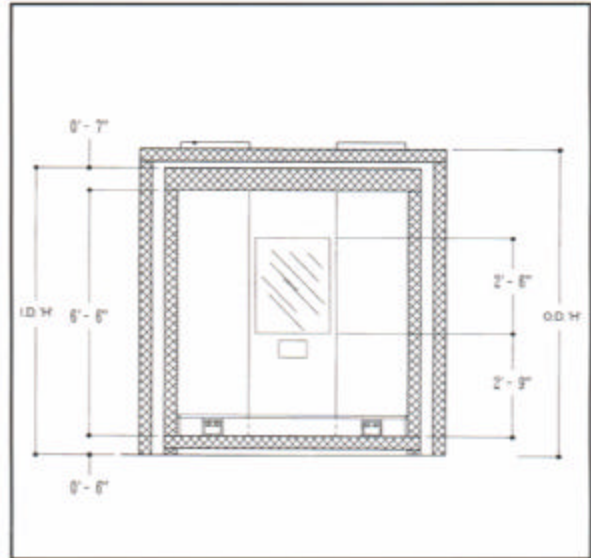
The 120act Series **Double-wall** (individual room) construction is a single or multiple occupancy room, constructed of 4 in. thick modular panels, complete with carpeted vibration isolated floor, space-saver roof mounted ventilation, recessed electrical, **Noise-Lock** doors and double glazed windows, audiometric jack panels acoustically matched and shipped ready for field assembly.



**120act Series Audiometric Booth**



**120act Series Plan**



**120act Series Typical Elevation**

Model No.	Control Room Inside Dimension L x W	I.D. Hgt	Exam Inside Dimension L x W	Overall Outside Dimension L x W	O.D. Hgt	Weight lbs
120act-1	6'-2" x 3'-10"	↑ 6'-6"	6'-02" x 6'-02"	8'-02" x 12'-10"	↑ 8'-1"	8,888
120act-2	7'-4" x 5'-00"		7'-04" x 7'-04"	9'-04" x 15'-02"		11,845
120act-3	8'-6" x 7'-04"	↓ 6'-6"	8'-06" x 8'-06"	10'-06" x 18'-08"	↓ 8'-1"	17,000
120act-4	9'-8" x 8'-06"		9'-08" x 9'-08"	11'-08" x 21'-00"		2,0756