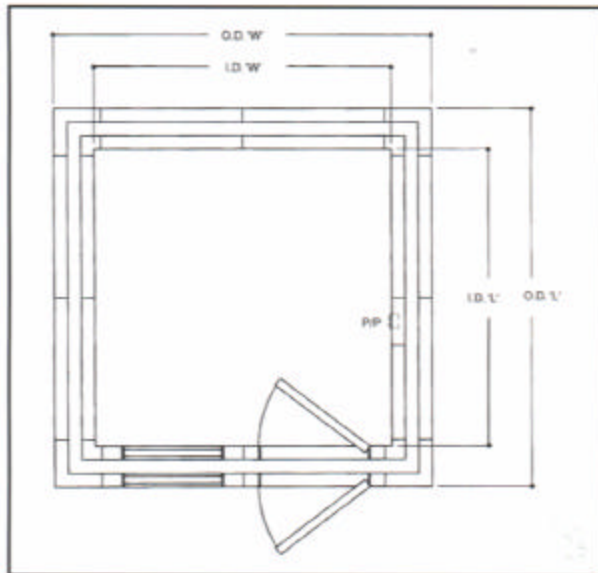




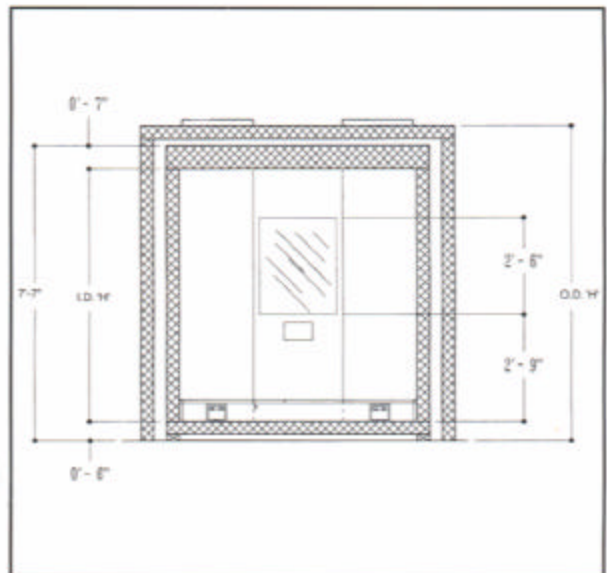
The 120a Series **Double-wall** (room-with-in-a-room) construction is two housings constructed of 4 in. thick modular panels, separated by a 4 in. air space, complete with carpeted vibration isolated floor, space-saver roof mounted ventilation, recessed electrical, **Noise-Lock** doors and double glazed windows, audiometric jack panels acoustically matched and shipped ready for field assembly.



120a Series Audiometric Booth



120a Series Typical Plan



120a Series Typical Elevation

Model No.	Inside Dimension L x W	I.D. Height	Outside Dimension L x W	O.D. Height	Weight lbs.
120a-1	3'-10" x 3'-10"	↑ 6'-6" ↓	5'-10" x 5'-10"	↑ 8'-1" ↓	2,851
120a-2	6'-02" x 6'-02"		8'-02" x 8'-02"		5,338
120a-3	7'-04" x 7'-04"		9'-04" x 9'-04"		6,795
120a-4	8'-06" x 8'-06"		10'-06" x 10'-06"		8,394
120a-5	9'-08" x 9'-08"		11'-08" x 11'-08"		10,135

INDUSTRIAL ACOUSTICS COMPANY
Making the World a Quieter Place